

5/8 vertical groundplane antenna for 50 MHz,

Omnidirectional pattern

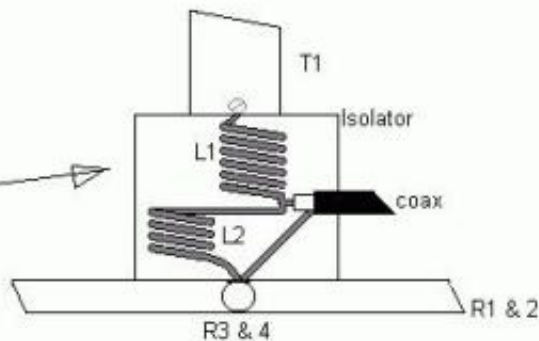
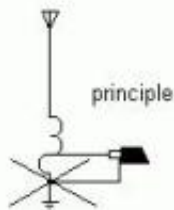
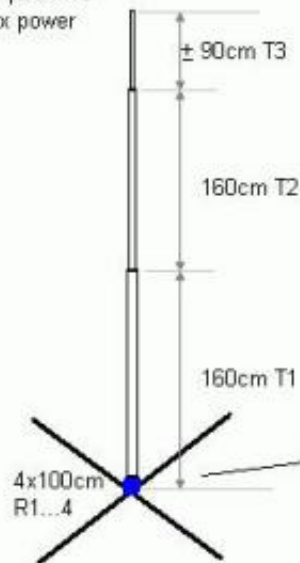
4.7dBi gain

2 MHz Bandwidth at 1.5 SWR

1:1 SWR on center frequency

50 OHm impedance

200 W max power



T3 = 10mm \varnothing (tune for best SWR by sliding it in or out T2)

T2 = 15mm \varnothing

T3 = 20mm \varnothing

R1...4= four tubes of 1 meter or 2 tubes of 2 meter crossed \varnothing 8mm or \varnothing 10mm

All alu tubing

L1 = 7 \uparrow 0.8mm, coil \varnothing 10mm

L2 = 5 \uparrow 0.8mm, coil \varnothing 10mm

de ON6MU